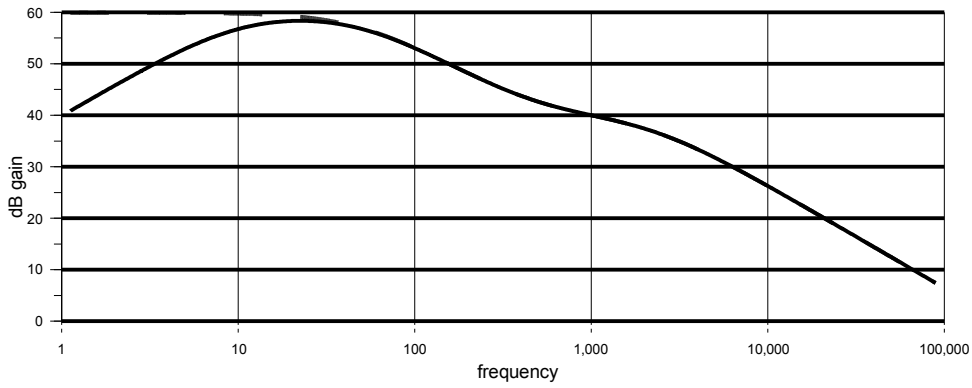
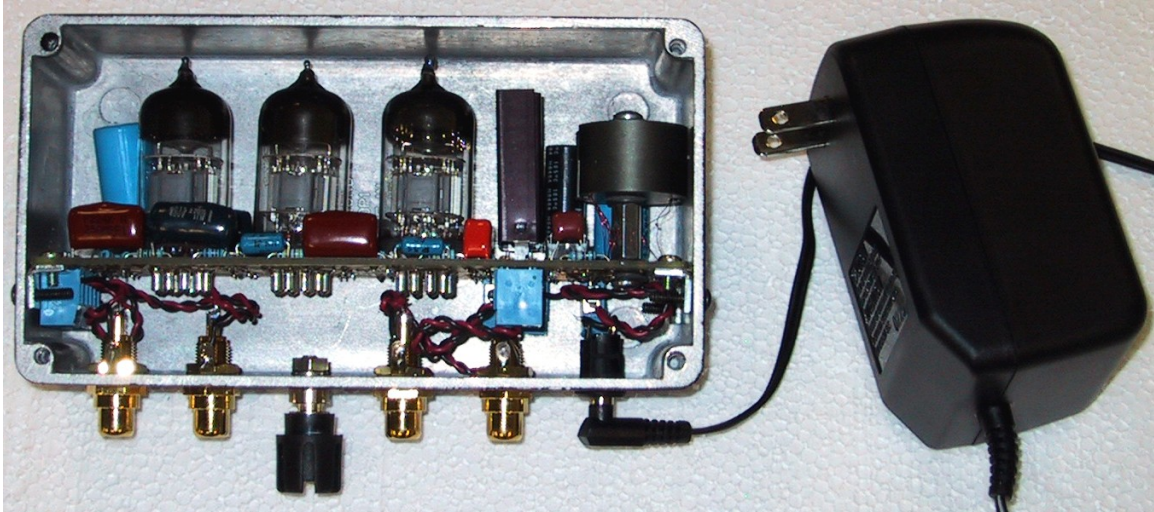


Marchand Electronics Inc.

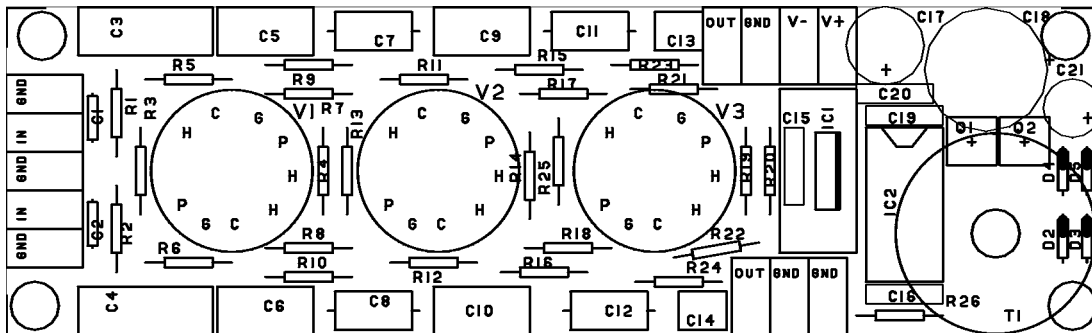
PO Box 18099, Rochester NY 14618
Tel:(585) 423 0462 Fax:(585) 423 9375
info@marchandelec.com www.marchandelec.com
(c)2004 Marchand Electronics Inc.

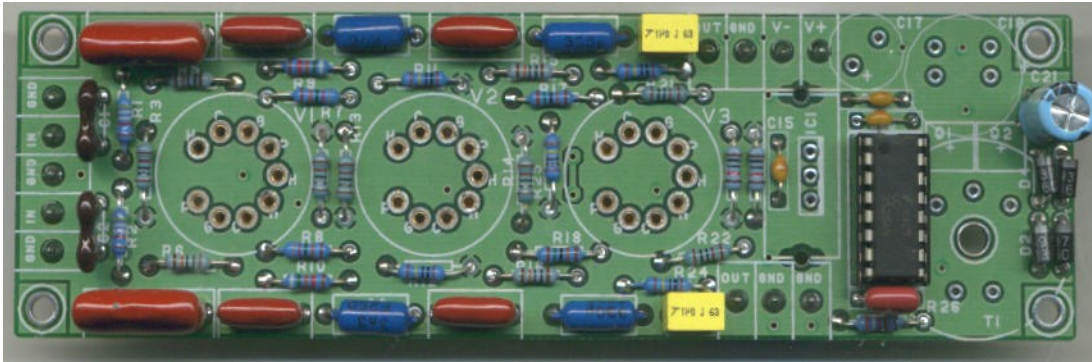
LN108 Phono Preamp REV 1005



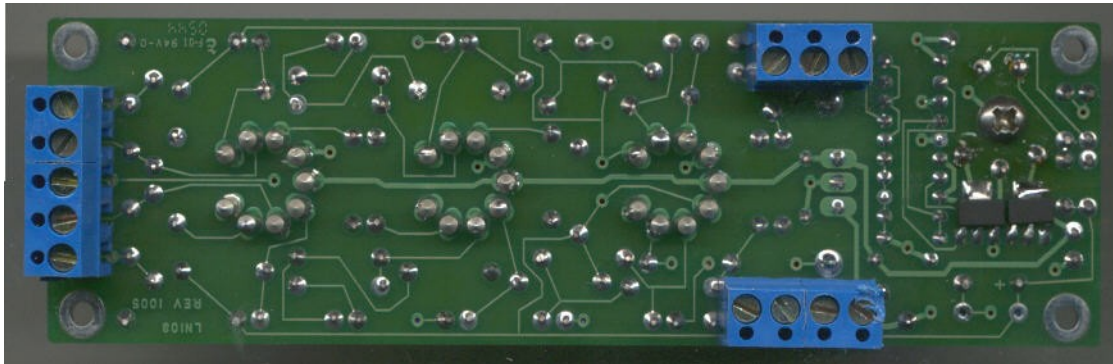
LN108 Parts Designation

R1,2	49K9	1% metal film	C21	47uF,50V	aluminum electrolytic
R3,4	1K00	1% metal film	D1	not used	
R5,6	100 K	1% metal film	D2,3,4,5	UF4007	ultra fast 1A diode
R7,8	825 K	1% metal film	Q1,2	IRLL110	MOSFET
R9,10	95K3	1% metal film			
R11,12	1M00	1% metal film	IC1	LM2940CT-12	voltage regulator
R13,14	1K00	1% metal film		L4940V12	
R15,16	100 K	1% metal film	IC2	LM3525D	DIP16 socket
R17,18	150 K	1% metal film			
R19,20	10K0	1% metal film	V1,2,3	12AX7WA	dual triode
R21,22	1K00	1% metal film	T1	P26/16	2T+2T / 35T
R23,24	1M00	1% metal film			
R25	1M00	1% metal film			
R26	3K92	1% metal film			
			27each		socket pins
C1,2	220 pF,250V	mica or polypropylene	1 each	Heatsink	TO220
C3,4	0.22 uF,250V	film	4 each	bracket	534-621
C5,6	0.047 uF,250V	film	4 each	4/40 x 1/4	Machine screw
C7,8	3300 pF	1% polypropylene	4 each	4/40 x 1/2	Buttonhead cap screw
C9,10	0.047 uF,250V	film	1 each		Hex wrench
C11,12	330 pF	1% polypropylene	2 each	RCA-red	Connector
C13,14	1.0 uF,63V	1% polypropylene	2 each	RCA-black	Connector
C15	0.1uF	axial monolythic	1 each		Binding post
C16	0.001 uF	polypropylene	1 each		Power connector
C17	1000uF,25V	aluminum electrolytic	1 each	15VDC,700mA	Wall transformer
C18	100uF,250V	aluminum electrolytic	1 each		custom cabinet
C19,20	0.1uF	axial monolythic			

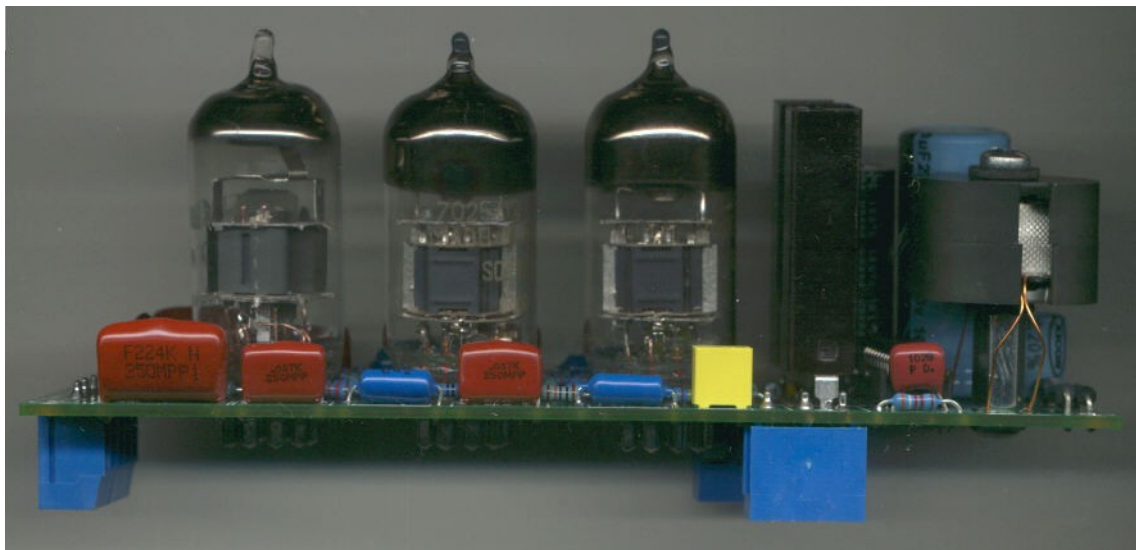




Top of LN108 circuit board with all low-profile parts installed.
Note the tube-socket pins.



Bottom of the circuit board.
Note the two surface mount MOSFET transistors Q1 and Q2 near the righthand side.
The terminal blocks are installed on the solder side with the openings facing in.



Side view of the circuit board with tubes inserted into the sockets.
The 5 leads of the power transformer are inserted into the circuit board.
Transformer mounted on 1/2" standoff.

Parts for the circuit board

6	1K00	1% metal film
1	3K92	1% metal film
2	10K0	1% metal film
2	49K9	1% metal film
2	95K3	1% metal film
4	100 K	1% metal film
2	150 K	1% metal film
2	825 K	1% metal film
5	1M00	1% metal film
2	220 pF	Silver Mica
2	330 pF,250V	1%polypropylene
1	0.001 uF	polypropylene
2	3300 pF,250V	1%polypropylene
4	0.047 uF,250V	film
3	0.1uF	axial monolythic
2	0.22 uF,250V	film
2	1.0 uF,63V	film
1	47uF,50V	aluminum electrolytic
1	100uF,250V	aluminum electrolytic
1	1000uF,25V	aluminum electrolytic
4	UF4007	fast 1A diode
2	IRLL110	MOSFET
1	LM2940CT-12	LDO voltage regulator
1	SG3525N	Controller
1		DIP16 socket
27		tube socket pins
3	12AX7WA	dual triode
T1	P2616	2T+2T / 35T
1	6/32 x 1"	
1	6/32 x 1/4"	
2	#6 fiber washer	
1	#6 x 1/2" standoff	
4	534-621	bracket
4	4/40 x 1/4	machine screw
3	TB2	2-pin terminal block
2	TB3	3-pin terminal block
1	TO220HS	TO220 heatsink
1		bag of thermal compound
1	LN108	Circuit board

Parts for cabinet

1	Cabinet base
1	Cabinet top
2	RCA red
2	RCA black
4	#4 x 1/2" buttonhead cap screw
1	Binding post
1	2.1mm connector
1	15V@700mA+ power supply
1	Hex Wrench
2'	red wire
2'	black wire

